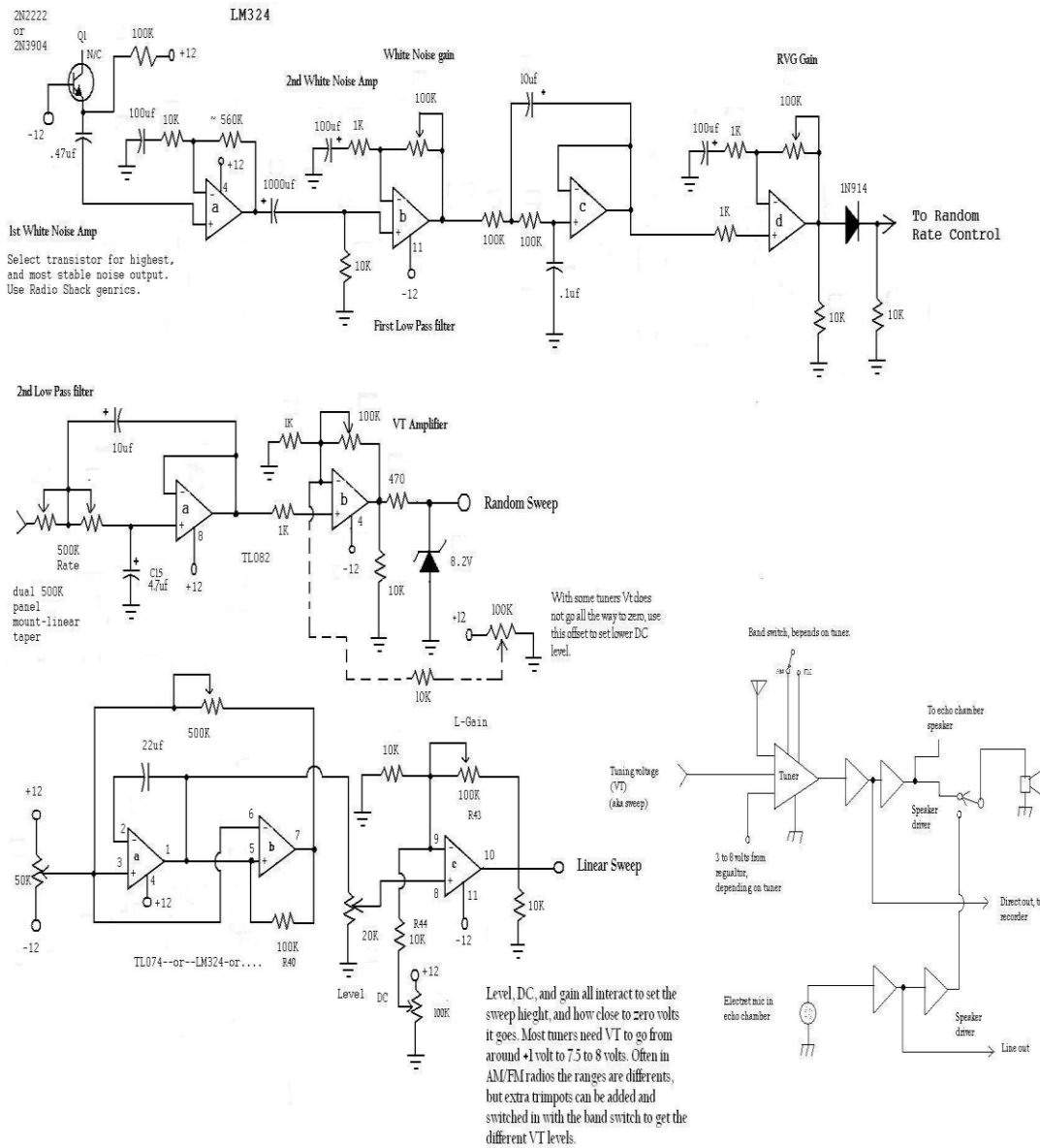


The sweep circuits, and most audio amplifiers for any given box are the same, so I don't usually include those in the schematics.

Dual supply (+12 volt and -12 volt) sweep circuit.



Dual supply sweep for sweeping the tuning of voltage tunable radios from using Frank's Bones, or realted systems. May 23, 2009



2008

I stopped using the dual supply version to save on batteries. the Random mode is more stable with the dual supplies.