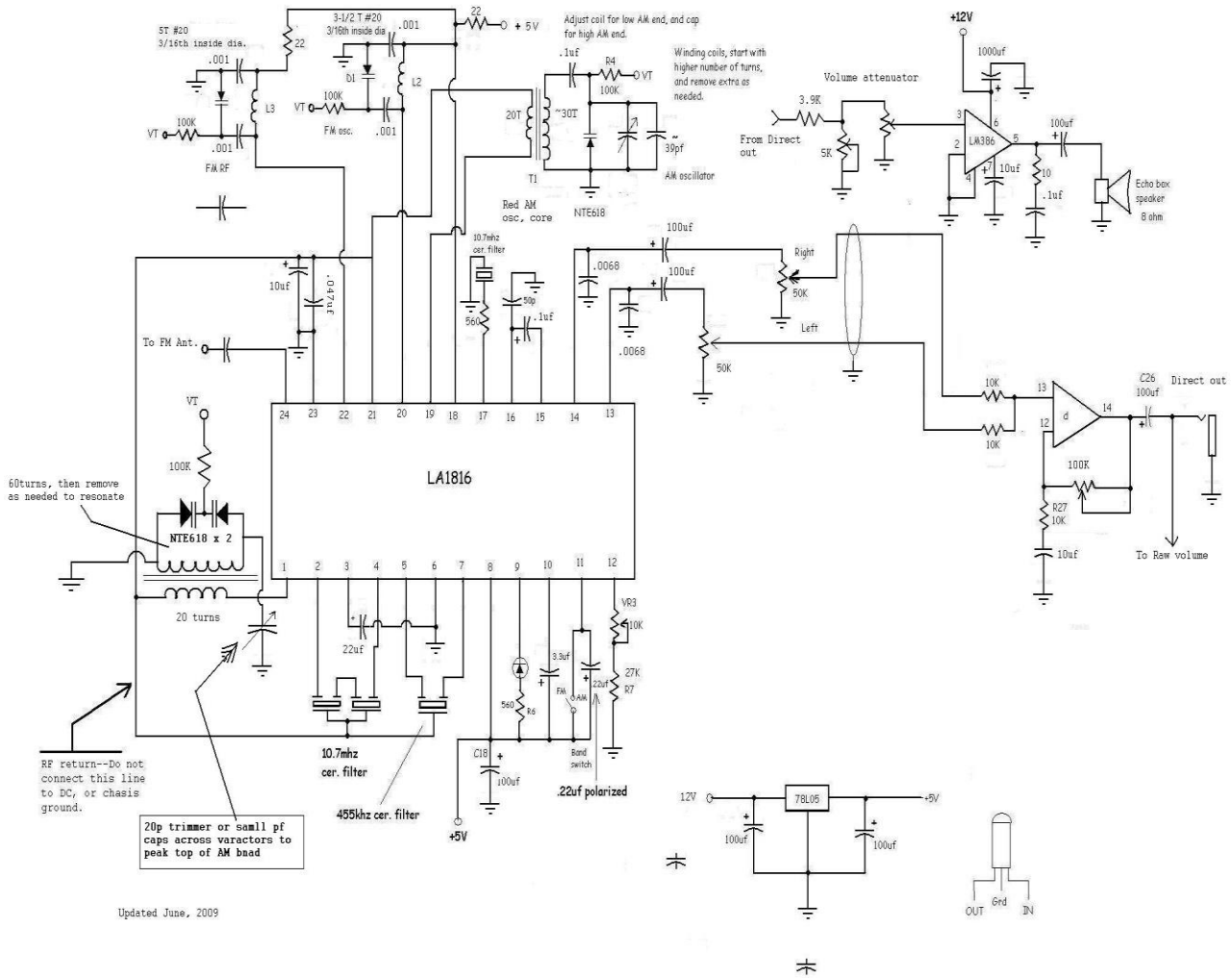


Box 53 schematic the LA1816 AM/FM chip



This radio is still pretty noisy on AM, and the varactors for FM are not determined, but should be around 15 to 20pf.