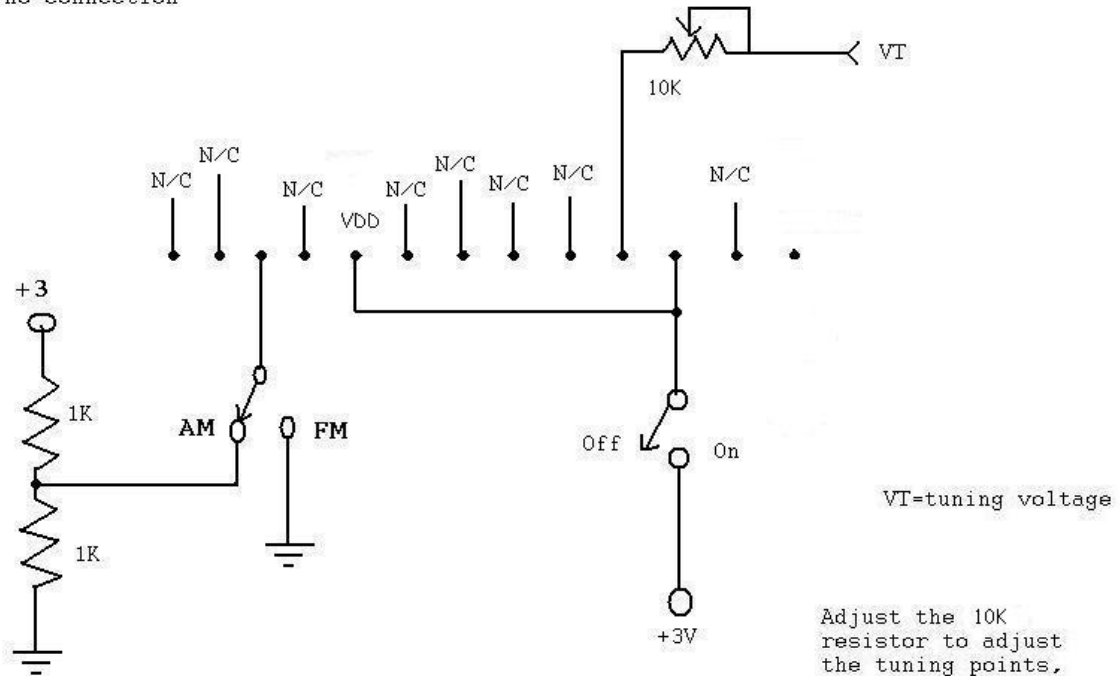


Diagram for using the Radio Shack 12-469 headless-or without the processor board

N/C=no connection



VT=tuning voltage

Adjust the 10K resistor to adjust the tuning points, or what VT level the bottom of the band is. You may have to use two different values, one for AM, and one for FM, switched with the band switch.

12-469 Re-hacked.